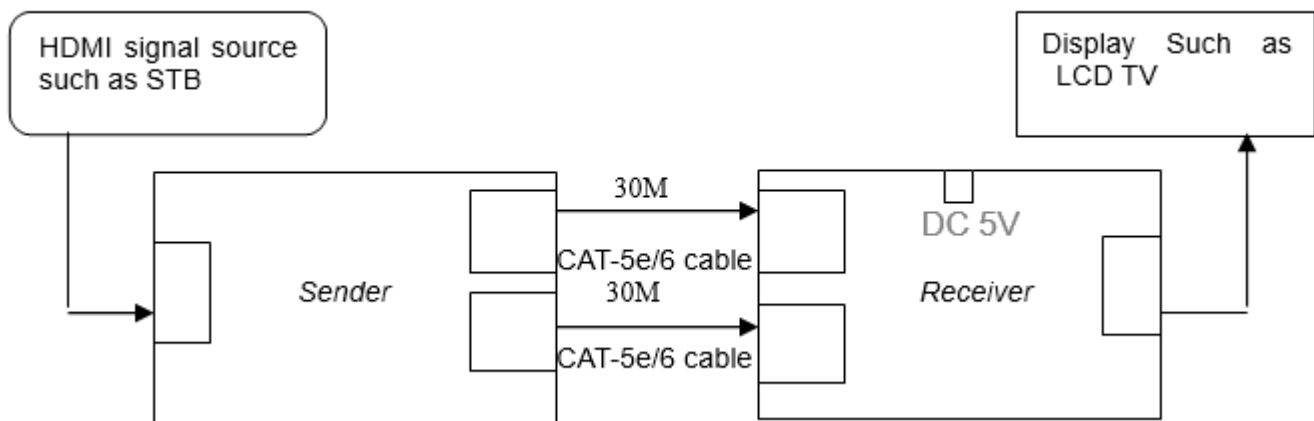


Features:

- CAT5e/6 cable substitute for HDMI cable to achieve long distance transmission.
- Transmission distance up to 30m for 1080P@60Hz (8bit deep colour) if using CAT6 cable.
- Supports HDMI1.3b.
- Supports 3D.
- Supports 165MHz/1.65Gbps per channel (4.95Gbps on all channels) bandwidth.
- Supports 8bit per channel (24bit on all channels) deep colour.
- HDCP pass-through.
- Supports uncompressed audio such as LPCM.
- Supports compressed audio such as DTS Digital, Dolby Digital (including DTS-HD and Dolby True HD).

Instructions:

1. Connect the device, such as satellite receiver, DVR for CCTV etc., to the HDMI in on the sender unit.
2. Connect two CAT5e/6 cables to both the output of the sender and input of the receiver.
3. Connect the HDMI output on the receiver unit to the display source (TV, monitor, projector, etc.).



Note:

- To achieve high transmission quality, please use shielded CAT5e or preferably CAT6 cable.