

## PROHDMIEX50M-4K 4K 50m HDMI Extender over CAT5e/6 with IR

**PRO**ception

The HDMI 18Gbps Extender can extend 4K HDMI signals and one-way IR up to 164ft/50m between the transmitter and receiver over a single CAT5e/6 cable (CAT6 recommended). It supports resolution up to 4K2K@60Hz 4:4:4, 18Gbps and HDCP 2.2. In addition, the extender is equipped with one-way IR pass-through which allows for source control and one HDMI loop output for local HDMI display. The extender offers the most convenient solution for HDMI extension over a single CAT5e/6 with long distance capability and is the perfect solution for application such as Blue-Ray, Satellite receivers and CCTV.



### Kit Contents:

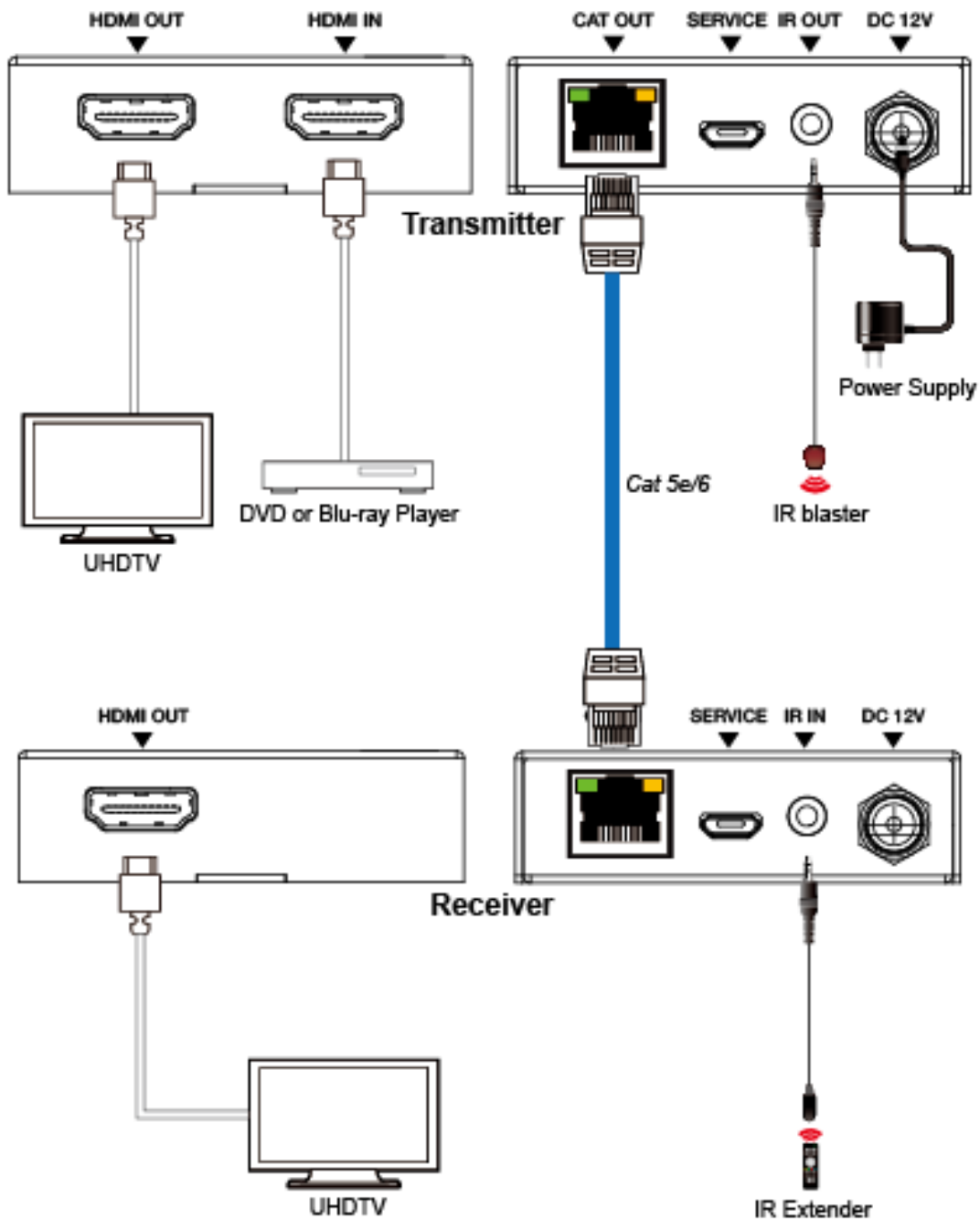
- 1× HDMI 18Gbps transmitter.
- 1× HDMI 18Gbps receiver.
- 1× IR blaster cable (1.5 meters).
- 1× 20~60KHz IR receiver cable (1.5 meters).
- 1× 12V 1A power adapter.
- 4× Mounting points.
- 1× User manual.

### Features:

- HDMI 2.0, HDCP 2.2 / HDCP 1.4 and DVI 1.0 compliant.
- Supports 18Gbps bandwidth.
- Supports input and output video resolution up to 4k2k@60Hz 4:4:4, extends distance up to 164ft/50m.
- Supports one HDMI loop through.
- Supports one-way IR pass-through.
- Supports HDR function.
- Supports PoE (Power over Ethernet) function, either transmitter or receiver can be powered by the single 12V 1A power supply.
- Supports EDID function.

**PROHDMIEX50M-4K**  
**4K 50m HDMI Extender over CAT5e/6 with IR**

**PRO**ception



**Instructions:**

1. Connect the device (Blu-ray player, game console, cable, or satellite receiver etc.) to the HDMI input on the transmitter unit.
2. Connect the display such as an HDTV or HD projector to the HDMI output on the receiving unit.
3. Connect a single CAT5e/6 (CAT6 recommended) up to 164ft/50m from the output of the transmitter unit to the receiver unit input.
4. For power, plug in to either the transmitter or receiver unit (only one power supply is required).

**PROHDMIEX50M-4K**  
**4K 50m HDMI Extender over CAT5e/6 with IR**

**PRO**ception

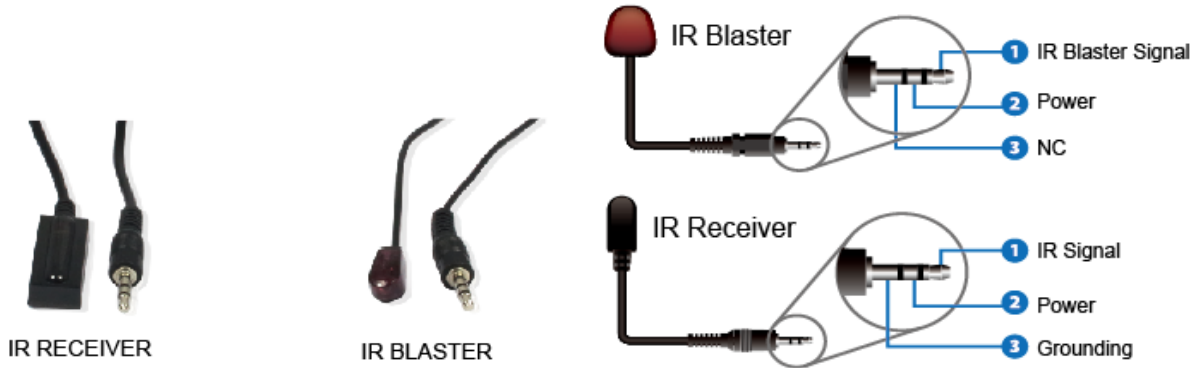
**Specifications:**

| <b>Technical</b>  |   |                                     |
|---|---|-------------------------------------|
| HDMI Compliance   | HDMI 2.0  |                                     |
| HDCP Compliance   | HDCP 2.2 / HDCP 1.4   |                                     |
| Video Bandwidth   | 18Gbps  |                                     |
| Video Resolution  | Up to 4K60Hz 4:4:4  |                                     |
| Color Space   | RGB / YCbCr 4:4:4, YCbCr 4:2:2/4:2:0, YUV 4:4:4   |                                     |
| Color Depth   | 8/10/12-bit (1080P60Hz, 4K30Hz, 4K60Hz YCbCr 4:2:2/4:2:0)<br>8-bit (4K60Hz 4:4:4 )  |                                     |
| HDMI Audio Formats  | LPCM 2.0/2.1/5.1/6.1/7.1, Dolby Digital, Dolby TrueHD, Dolby Digital Plus(DD+), DTS-ES, DTS HD Master, DTS HD-HRA, DTS-X  |                                     |
| ESD Protection  | Human body model — ±8kV (Air-gap discharge) &±4kV (Contact discharge)   |                                     |
| <b>Connections</b>  |   |                                     |
| Transmitter   | Inputs: 1x HDMI Type A [19-pin female]<br>1x SERVICE [Micro USB, Update port]<br>Outputs: 1x HDMI Type A [19-pin female]<br>1x IR OUT [3.5mm Stereo Mini-jack]<br>1x CAT OUT [RJ45, 8-pin female] |                                     |
| Receiver  | Inputs: 1x IR IN [3.5mm Stereo Mini-jack]<br>1x CAT IN [RJ45, 8-pin female]<br>1x SERVICE [Micro USB, Update port]<br>Outputs: 1x HDMI Type A [19-pin female]                                     |                                     |
| <b>Mechanical</b>   |   |                                     |
| Housing   | Metal Enclosure   |                                     |
| Color   | Black   |                                     |
| Dimensions  | Transmitter / Receiver:<br>61mm [W] x 88mm [D] x 18mm [H]   |                                     |
| Weight  | Transmitter: 160g, Receiver: 155g   |                                     |
| Power Supply  | Input: AC 100 - 240V 50/60Hz<br>Output: DC 12V/1A   |                                     |
| Power Consumption   | 3.84 W  |                                     |
| Operating Temperature   | 32 - 104°F / 0 - 40°C   |                                     |
| Storage Temperature   | -4 - 140°F / -20 - 60°C   |                                     |
| Relative Humidity   | 20 - 90% RH (no condensation)   |                                     |
| <b>Resolution / Distance</b>                                      | <b>4K60 - Feet / Meters</b>   | <b>4K30 / 1080P - Feet / Meters</b> |
| CAT5e   | 164ft / 50m   | 164ft / 50m                         |
| CAT6/6a/7   | 197ft / 60m   | 230ft / 70m                         |
| HDMI IN/OUT   | 10ft / 3m   | 30ft / 10m                          |
| The use of "Premium High-Speed HDMI" cable is highly recommended. |   |                                     |

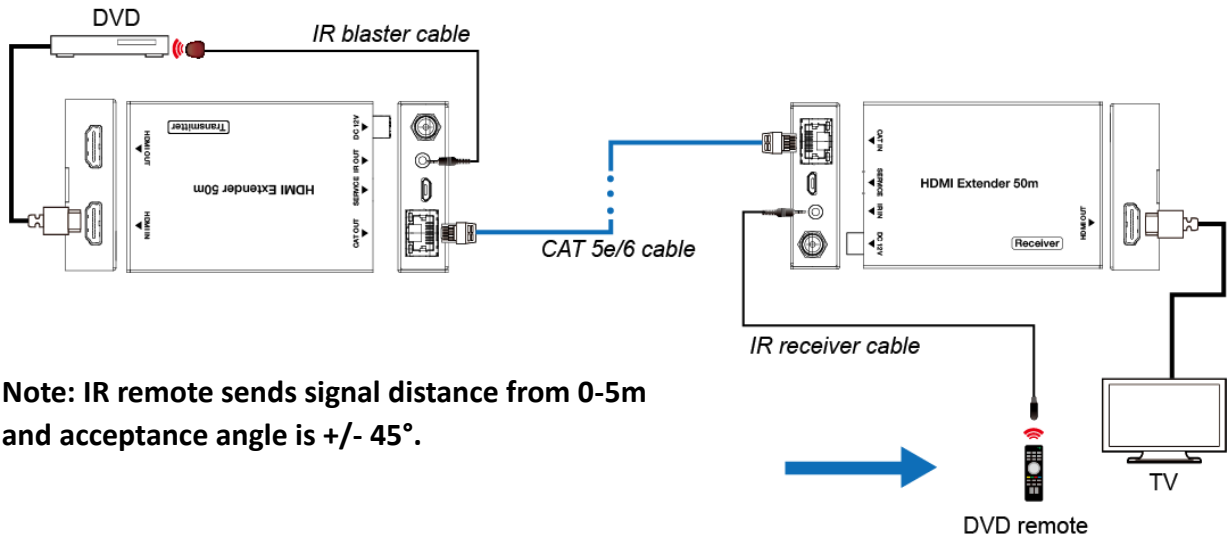
**PROHDMIEX50M-4K**  
**4K 50m HDMI Extender over CAT5e/6 with IR**



**IR receiver and blaster:**

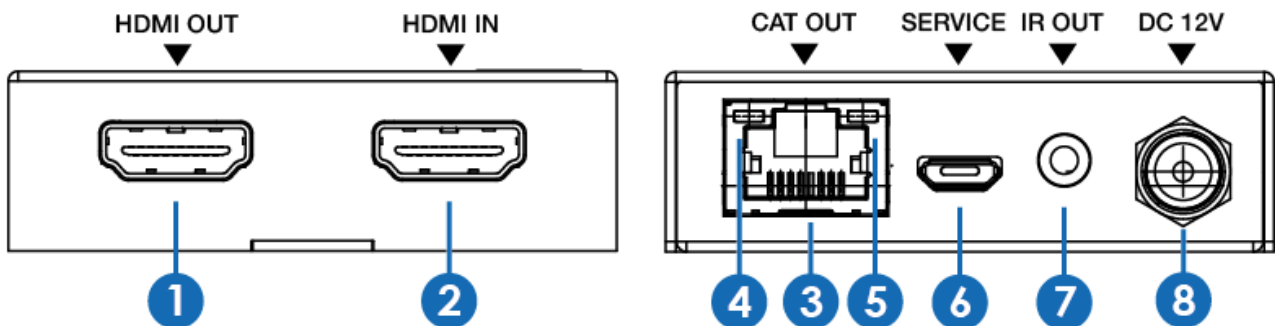


**IR system diagram:**



**Note: IR remote sends signal distance from 0-5m and acceptance angle is +/- 45°.**

**Transmitter:**



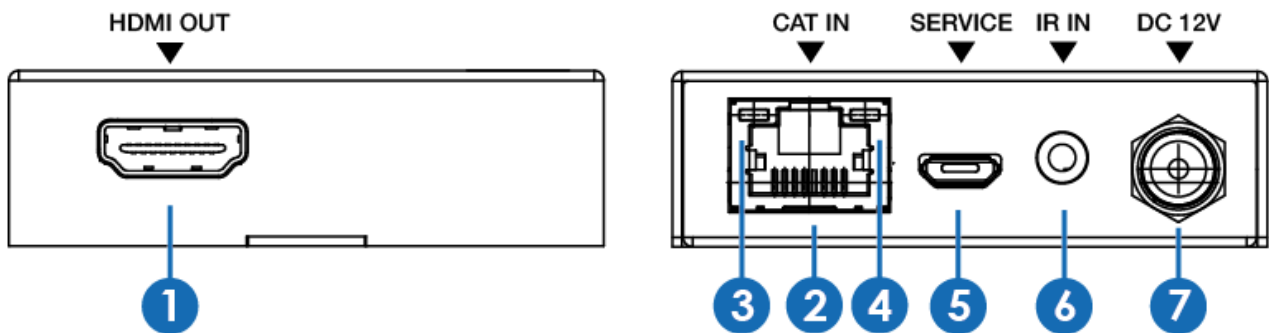
| Number | Name     | Function description  |
|--------|----------|---|
| 1      | HDMI OUT | HDMI loop output, connect to local HDMI display device such as TV or Projector. |
| 2      | HDMI IN  | HDMI input port, connect to HDMI source device such as DVD or PS4 player.       |

**PROHDMIEX50M-4K**  
**4K 50m HDMI Extender over CAT5e/6 with IR**



|   |  |   |
|---|--|---|
| 3 | <b>CAT OUT</b>                             | Connect to CAT IN port on the receiver with a CAT6 cable.   |
| 4 | <b>Power Indicator Lamp (Green)</b>        |   |
| 5 | <b>Data signal Indicator Lamp (Orange)</b> | The lamp will illuminate when transmitter and receiver are connected correctly.                             |
| 6 | <b>SERVICE port</b>                        | For firmware update.  |
| 7 | <b>IR OUT</b>                              | Connect to IR Blaster cable.  |
| 8 | <b>DC 12V</b>                              | Plug DC 12V/1A power supply into the unit and connect the adapter to an AC outlet, if required at this end. |

Receiver:



| Number | Name                                       | Function description  |
|--------|--|---|
| 1      | <b>HDMI OUT</b>                            | HDMI output port, output device such as TV or Projector with an HDMI cable.                                 |
| 2      | <b>CAT IN</b>                              | Connect to CAT OUT port on the transmitter end with a CAT6 cable.   |
| 3      | <b>Power Indicator Lamp (Green)</b>        |   |
| 4      | <b>Data signal Indicator Lamp (Orange)</b> | The lamp will illuminate when transmitter and receiver are connected correctly.                             |
| 5      | <b>SERVICE port</b>                        | For firmware update.  |
| 6      | <b>IR IN</b>                               | Connect to IR Receiver cable. The IR signal will send to the IR OUT port of the transmitter.                |
| 7      | <b>DC 12V</b>                              | Plug DC 12V/1A power supply into the unit and connect the adapter to an AC outlet, if required at this end. |