

Fitting Guide

DMC

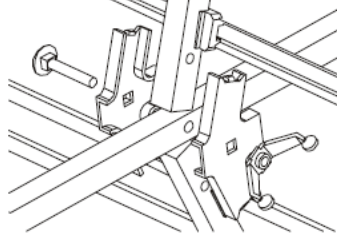


Kit Contents:

- 1 - Aerial boom with dipole cap
- 2 - Reflector sections
- 1 - Reflector 'arrow' plate clamp (fitted)
- 1 - Mast clamp

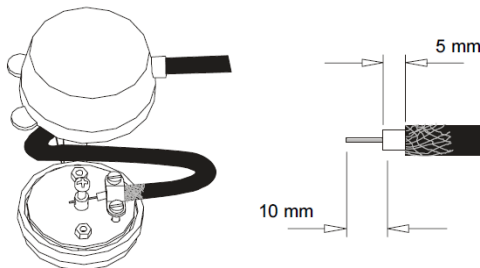
1. Fit reflector sections to boom

Loosen wing nut but do not remove. Insert each reflector section as shown. Ensure locating lugs on clamps fit into mating holes in booms. Securely tighten wing nut.



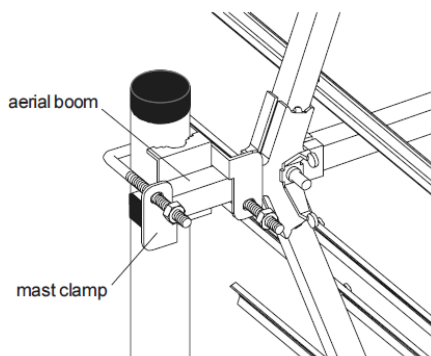
2. Fit coaxial cable

Remove cover from terminal box and push cable through aperture. Do not enlarge hole as this may allow water ingress. Trim off approximately 15mm of the outer cable sheath with a craft knife or similar to expose braid (and foil if double screened). Fold braid back over sheath (cut away foil flush to outer sheath) to expose plastic dielectric. Cut away dielectric to leave 10mm of the centre copper wire exposed. Loosen clamp screws, slide cable under clamp and push centre wire through hole in terminal post. Braid should be positioned underneath clamp but not beyond it. Do not over tighten terminal screw. Tighten braid clamp screws, ease cap down cable and fit securely onto terminal box.



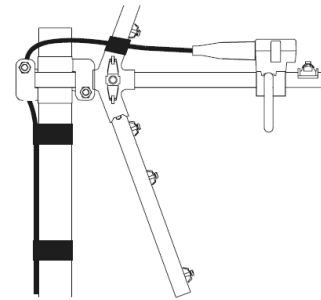
3. Fit aerial to a mast

Slide mast clamp over aerial boom as shown. Choose horizontal polarisation as shown or rotate aerial through 90 for vertical polarisation. (If in doubt about polarisation look at aerials on neighbouring roofs.) Fit to a suitable mast 1.25" - 1.5" (32-38mm) diameter and tighten nuts.



4. Recommended cable route

For best aerial performance the cable should be routed as shown and secured with PVC tape (not supplied). The cable should not touch the aerial boom.



Safety

Working at height - carry out work outdoors at height only if you are competent in the use of ladders and related access equipment. Always work safely within your own limitations, ensuring that all equipment used is appropriate and is in good condition.

Further advice may be downloaded from:
www.blake-uk.com/downloads on the following:

- Reception problems
- Fitting coaxial connectors
- Distributing TV signals around the home
- General recommendations

Reception Advice Services
BBC Reception Advice 08700 100123
Email: reception@bbc.co.uk
Web: www.bbc.co.uk/reception
Ofcom Engineering Information

Web: www.ofcom.org.uk/static/reception_advice/index.asp

sales@blake-uk.com

www.blake-uk.com

0114 223 5000

PD2011-2086-08