

Assembly & fitting guide

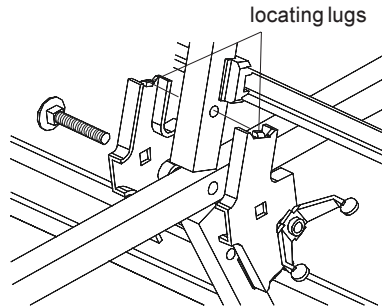
Aerial with 'F' Balun

SR13WB/F



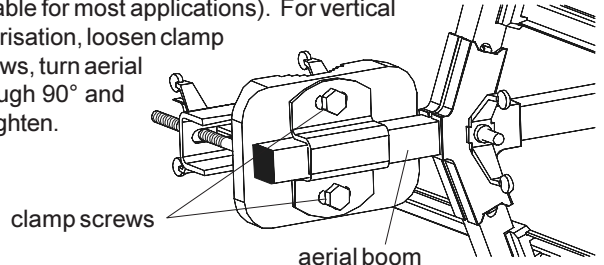
1. Fit reflector sections to boom

Loosen wing nut but do not remove. Insert each reflector section as shown. Ensure two locating lugs on clamps fit into mating holes in booms. Securely tighten wing nut.



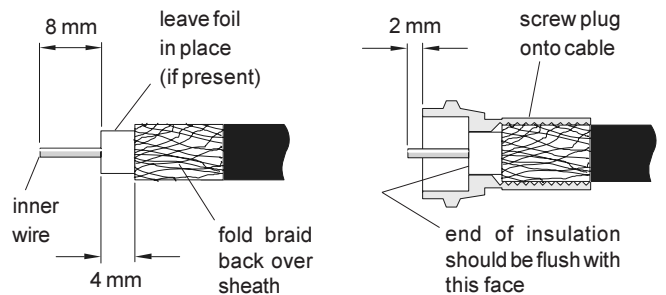
2. Main mast/boom clamp

Fit clamp to rear of aerial boom as shown. The diagram shows the aerial positioned for horizontal polarisation (which will be suitable for most applications). For vertical polarisation, loosen clamp screws, turn aerial through 90° and re-tighten.



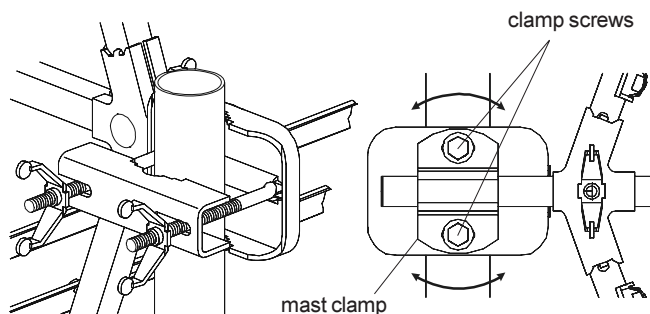
3. Fit coaxial cable and screw-on 'F' plug

Push cable through the waterproofing sleeve before fitting plug. Prepare the cable end and fit screw-on 'F' plug as shown. (The inner wire of the cable should extend slightly beyond end of plug.) Offer plug up to the socket on the aerial housing and tighten gently (11 mm spanner). **Do not leave the plug finger-tight as this may lead to unreliable reception.** Slide the waterproofing sleeve into position over the lip on the aerial housing.



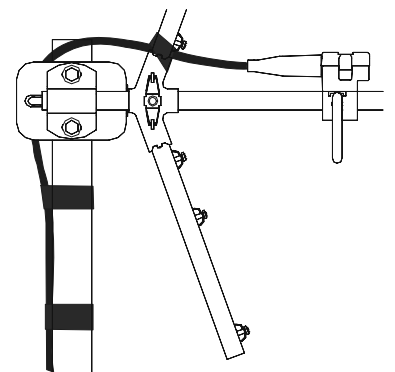
4. Fit aerial to a mast

Slide mast clamp over a suitable mast 1¼" – 1½" (32-38 mm) diameter and tighten wing nuts. To tilt aerial loosen clamp screws, set position and re-tighten.



5. Recommended cable route

For best aerial performance the cable should be routed as shown and secured with pvc tape (not supplied). The cable should not touch the aerial boom.



Kit Contents

- 1 - Aerial boom with dipole and elements fitted
- 2 - Reflector sections
- 1 - Reflector 'arrow' plate clamp (fitted)
- 1 - Mast clamp.

Safety

Working at height - carry out work outdoors at height only if you are competent in the use of ladders and related access equipment. Always work safely within your own limitations, ensuring that all equipment used is appropriate and is in good condition.

Further advice may be downloaded from:
www.blake-uk.com/downloads on the following:

- reception problems
- fitting coaxial connectors
- distributing TV signals around the home
- general recommendations

Reception Advice Services

BBC Reception Advice 08700 100123
 e-mail: reception@bbc.co.uk
 web: www.bbc.co.uk/reception
 Ofcom Engineering Information
 web: www.ofcom.org.uk/static/reception_advice/index.asp

Product reference	Gain (dB)	Directivity (DEG)	Return loss (dB)	Cross polar (dB)	Feeder pickup rejection (dB)	Approximate length (m)
SR13WB/F	11.6	Max. = ± 18	-23.77	-40.40	-35.78	1.2