

# General fitting guide

## Adjustable tripod satellite mounts

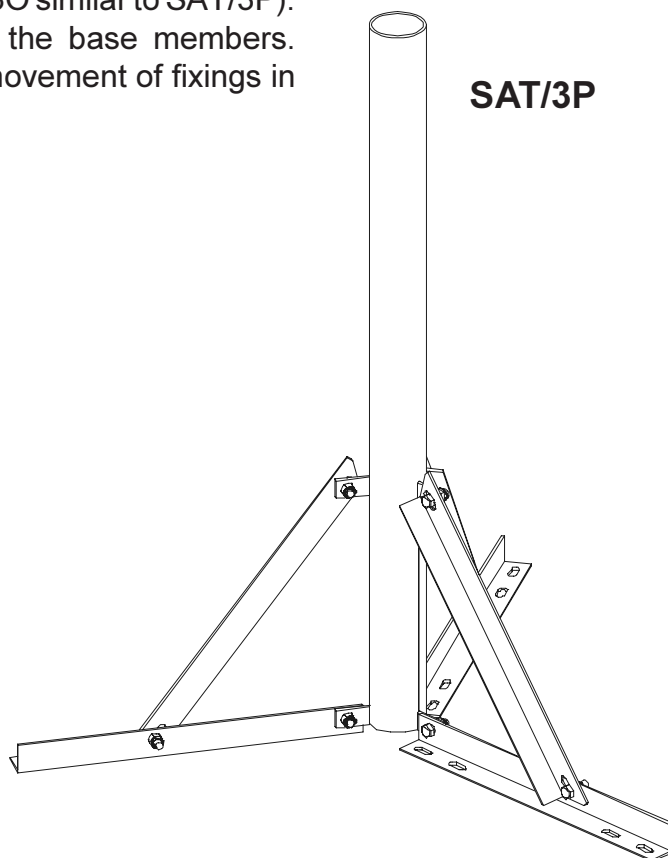
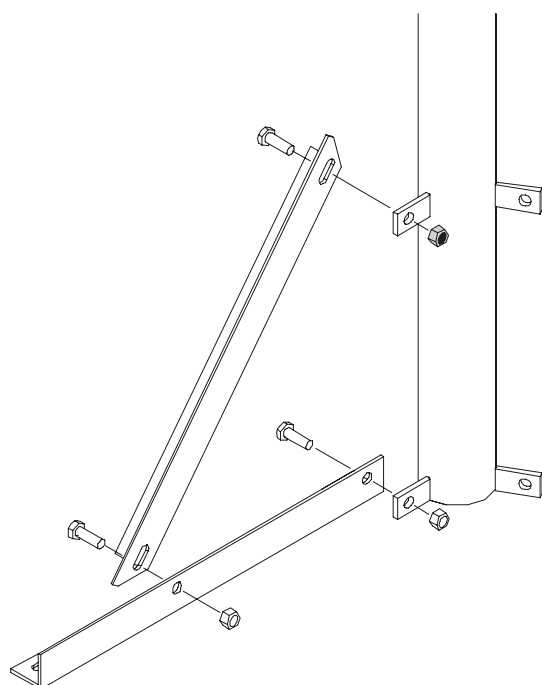
### SAT/3O & SAT/3P



This guide covers adjustable tripod satellite mounts SAT/3O and SAT/3P.

#### General notes

Assembly arrangements are shown below (SAT/3O similar to SAT/3P). Mounts **must be bolted down** using slots in the base members. Adjustment for uneven surfaces is effected by movement of fixings in slots in metalwork.



|                            | SAT/3O   | SAT/3P   |
|----------------------------|--|--|
| Kit contents               | 2" x 1 metre mast assembly<br>3 - support arms 1000 x 40 x 40 mm<br>3 - base members 1000 x 40 x 40 mm<br>9 - bolts M10 x 30 mm long<br>9 - locking nuts M10 | 3" x 1 metre mast assembly<br>3 - support arms 1000 x 40 x 40 mm<br>3 - base members 1000 x 40 x 40 mm<br>9 - bolts M10 x 30 mm long<br>9 - locking nuts M10 |
| Overall size (approximate) | 900 mm triangle (base) x 1000 mm high  | 900 mm triangle (base) x 1000 mm high  |
| Total weight (approximate) | 10 kg  | 12.5 kg  |

#### Disclaimer

If in doubt about suitable dish sizes or for dishes **used on very exposed sites and/or heights above 20 metres, and in all situations where failure could have serious consequences in terms of danger to life or property, a qualified structural engineer should be consulted.**

Products are guaranteed against manufacturing defect in accordance with our standard warranty terms. Blake UK Ltd. will accept no liability for consequential loss or damage to property, or for injury arising from the use of these products, however caused.

#### Safety

**Working at height - carry out work outdoors at height only if you are competent in the use of ladders and related access equipment. Always work safely within your own limitations, ensuring that all equipment used is appropriate and is in good condition.**

Further advice may be downloaded from:  
[www.blake-uk.com/downloads](http://www.blake-uk.com/downloads) on the following:

- reception problems
- fitting coaxial connectors
- distributing TV signals around the home
- general recommendations