



INSTALLATION GUIDE

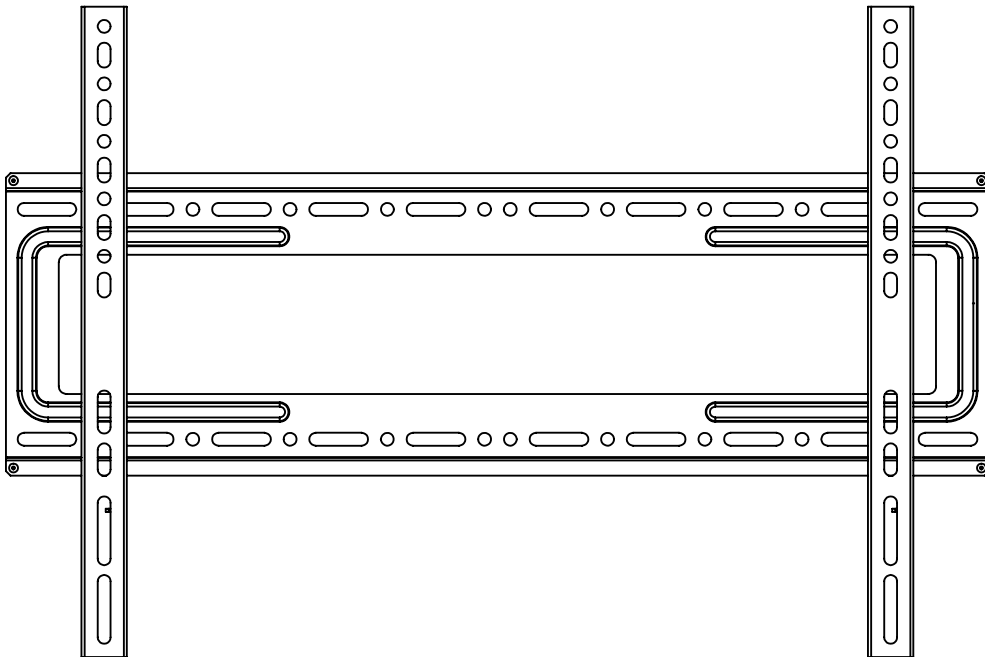
Flat Panel Mount

BTFX1/63

Support 37" to 63" Screens

Max Load Capacity: 100 lbs (45.4 kg)

VESA / 200x200 / 400x400 / 400*600 compatible



Installation Instructions

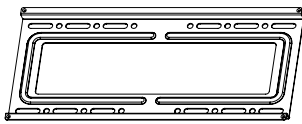
Model Name: BTFX1/63

37"-63" UNIVERSAL TILT WALL MOUNT

Important Notes

- The 37"-63" Universal Tilt Wall Mount supports LCD and supports a maximum load of 45.4 kg (100 lbs).
- The manufacturer does not accept responsibility for incorrect installation.

Component Checklist



Wall Plate



2-monitor bracket-(BB)

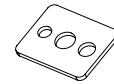
TOOLS REQUIRED:

- Power Drill
- 10mm or 6mm Drill Bit
- Phillips Head Screw Driver
- Spirit Level
- 13mm (1/2") Socket Wrench or Shifter

Bits Bag



φ 8.2X1.5X φ 16 iron spacer(x4)



25.4x19.7x1.5 square spacer (x4)



φ 13.0X φ 7.0X13.0 Spacer(x4)



φ 17X φ 9.0X14.0 Spacer(x4)



concrete anchor M10X60(x4)



M8X63.5 outside the hexagonal self-tapping screws(X4)



pan head screw

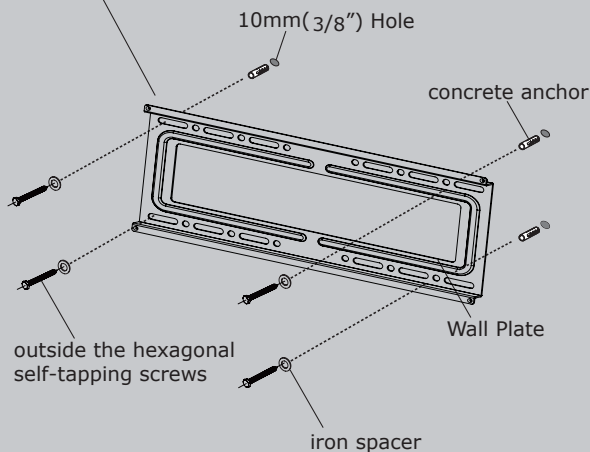
- | | |
|---------|-----------|
| M8x25mm | (x4 each) |
| M8x12mm | (x4 each) |
| M6x25mm | (x4 each) |
| M6x12mm | (x4 each) |
| M4x35mm | (x2 each) |

A Mounting the Wall Plate

Masonry Wall

Note: Ensure the Wall Plate is mounted with the folded tabs pointing upwards.

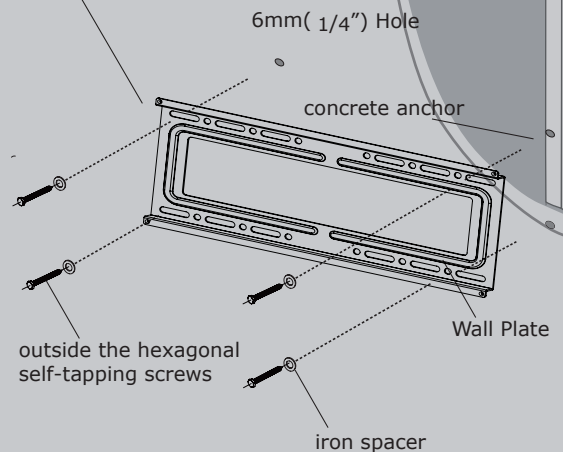
TIP: Use a spirit level to ensure the Wall Plate is horizontal



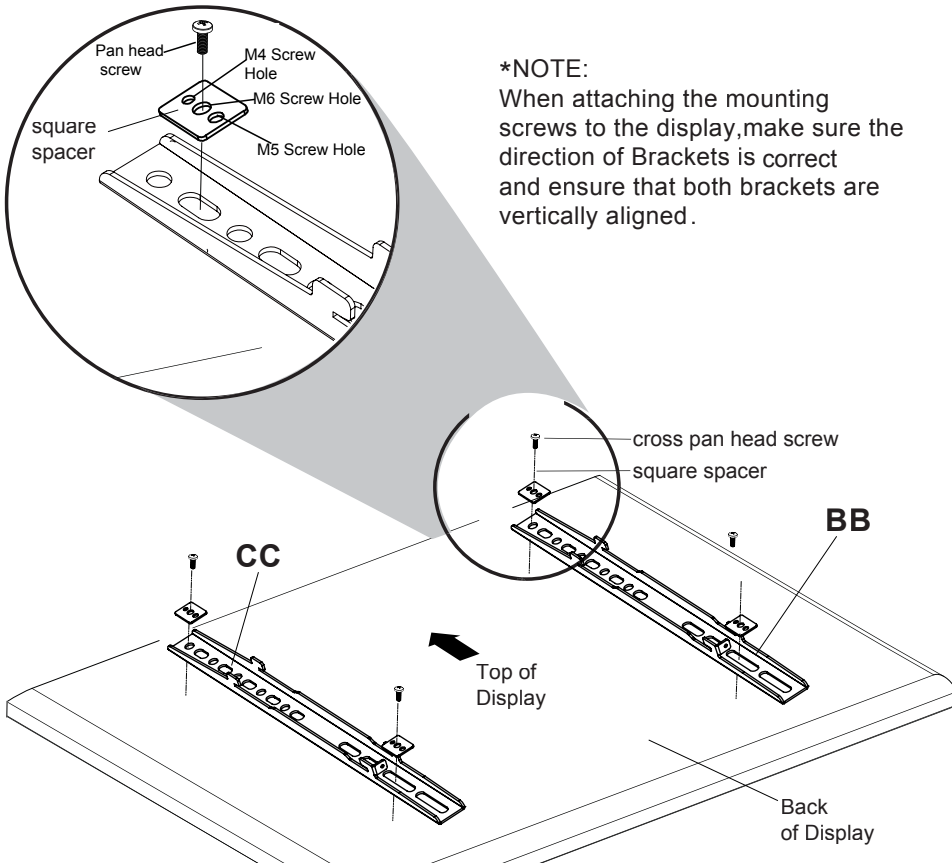
OR

Timber Stud Wall

Note: Ensure the Wall Plate is mounted with the folded tabs pointing upwards.



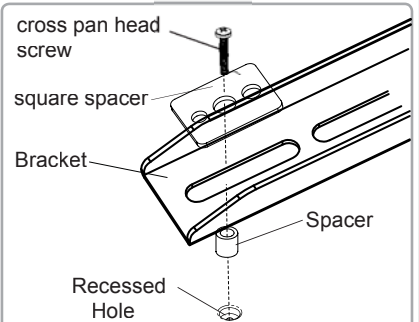
B Mounting the Display Brackets



*NOTE:

When attaching the mounting screws to the display, make sure the direction of Brackets is correct and ensure that both brackets are vertically aligned.

Recessed Mounting Holes. If the mounting holes are recessed into the back of the display, use the supplied spacers to pack the recessed hole. If the mounting screw is M6&M8, use the $\phi 13.0 \times \phi 7.0 \times 13.0$ mm Spacers. If the mounting screw is M8, use the $\phi 17 \times \phi 9.0 \times 14.0$ mm Spacers. Ensure that the brackets are securely fixed to the display.

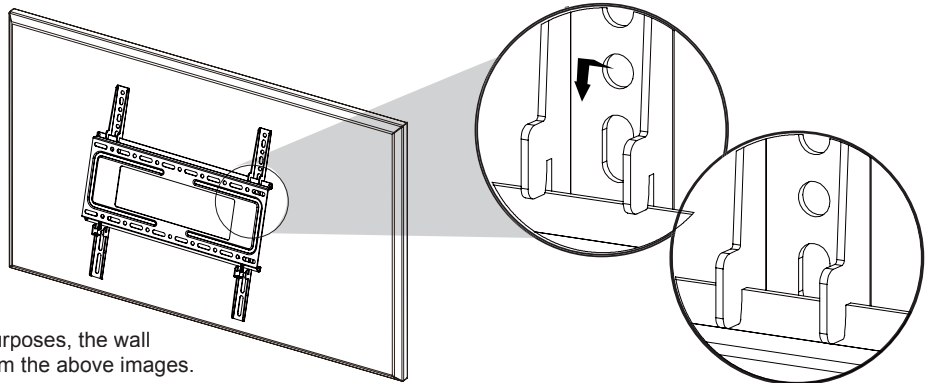


C Mounting the to the wall plate

Note: This procedure will require two persons

With the Brackets attached to the display, lift the display and hook the brackets onto the Wall Plate as shown.

Note: For demonstration purposes, the wall has been omitted from the above images.



D Security option

Note: For demonstration purposes, the wall has been omitted from the above Images.

